



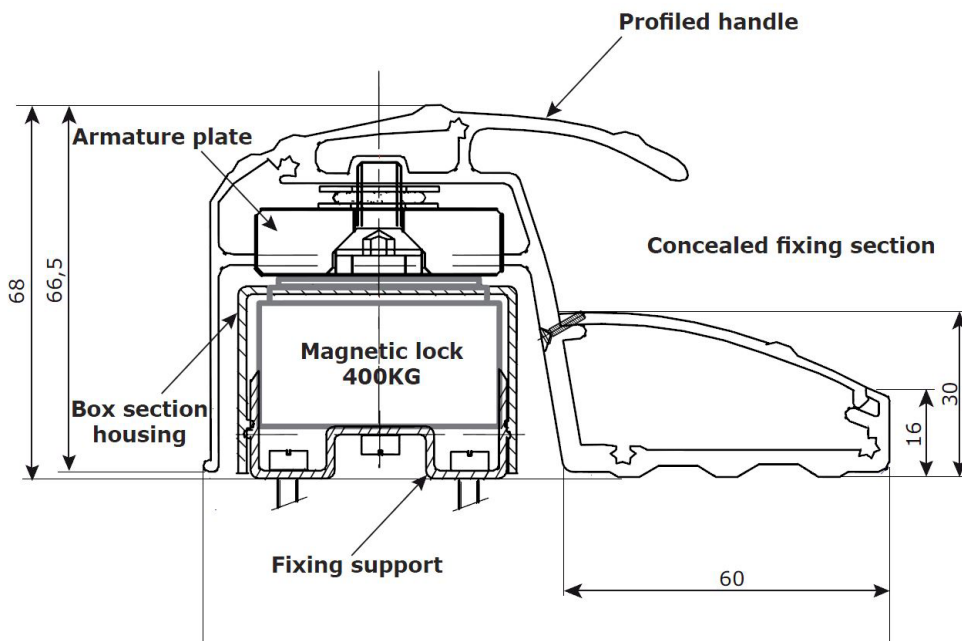
# BO800RN

## Architectural handle

Range : DIAx<sup>®</sup>

### BO800RN Architectural Handle

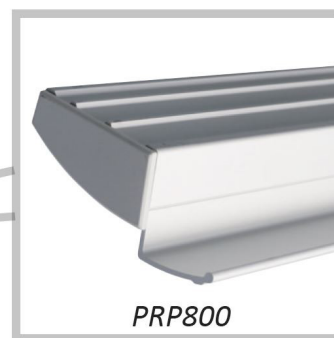
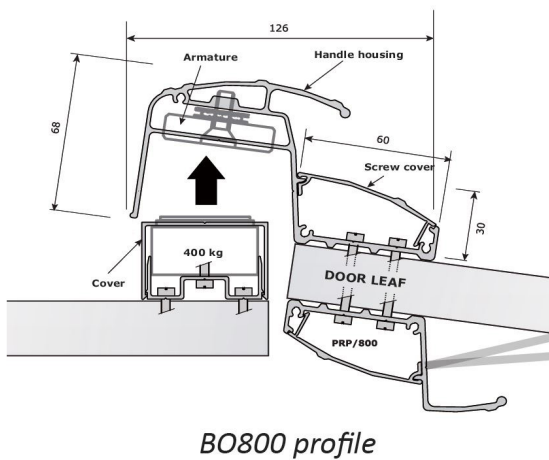
#### Technical diagram



**Option :**  
Glass door fixing kit available up to 2.5m (UBKU-2.5)

*Advice for installation on glass door :*  
For installation of the UBKU-2.5 a gap of 10mm is required between the door and frame to allow the U bracket to wrap around the door leaf. This should eliminate any obstruction in the operation of the door.

#### Recommended power supplies



BO800RN

**PATENTED BREVETÉ**