

# BIOPAD-M

## Biometric Keypad Reader

BIOPAD-M is a Wiegand biometric keypad for access control applications with backlit keys and programmable wiegand output.

It offers storage up to 9500 fingerprints, programmable Wiegand Output (8 to 128 bits) and selectable PIN Code length. The tamper switch output can trigger the alarm system, if an attempt is made to open or remove the unit from the wall.



INTERNAL AND EXTERNAL USE

### Features

- Surface Mount fingerprint reader with integrated keypad
- Authentication: Finger, PIN Code, Finger or/and PIN Code
- Storage capacity: 9500 Fingerprints
- PIN Code Length: 1 to 8 digits
- Recognition and matching time: <1sec
- SteelCoat protective coating provides added protection of fingerprint sensor for rugged environments
- Green and Red LED: Externally controlled
- Configuring the system and Fingerprint enrollment done through PC, locally or remotely
- Adjustable Wiegand protocol (1 to 128-bit) is utilized in the biometry reader which makes it compatible with controllers with Wiegand interface
- Wiegand Protocol adjustment done through PC
- Backlight ON/OFF
- Separate BioManager Software available free when used with third party controllers
- Fingerprints stored in the reader and backup copy kept in the software
- Compatibility with XPR Control Panels: EWS – yes; SC24000, EX8 – No
- Power Supply: 12Vdc
- Consumption: 130 mA max.
- IP rating: IP65
- Operating Temperature: -15°C to +50°C

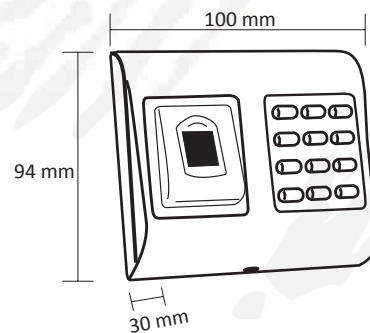


### ATPD-MINI



Compulsory protection cover supplied with reader for external use.

### Dimensions

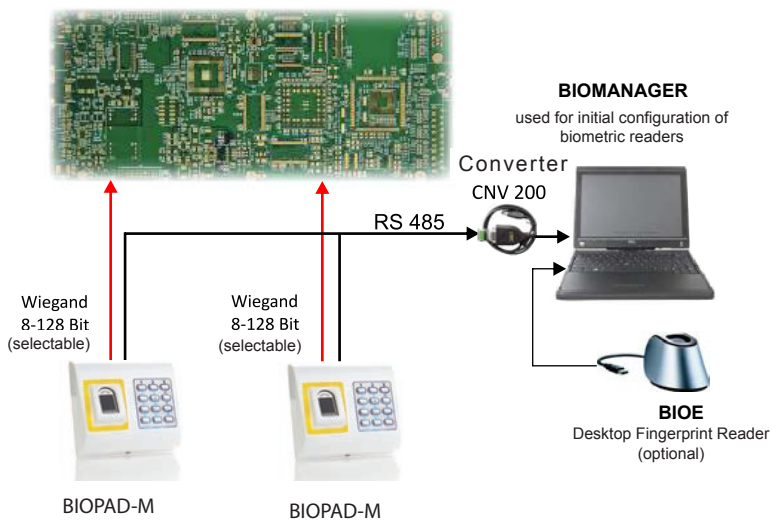


### Colours



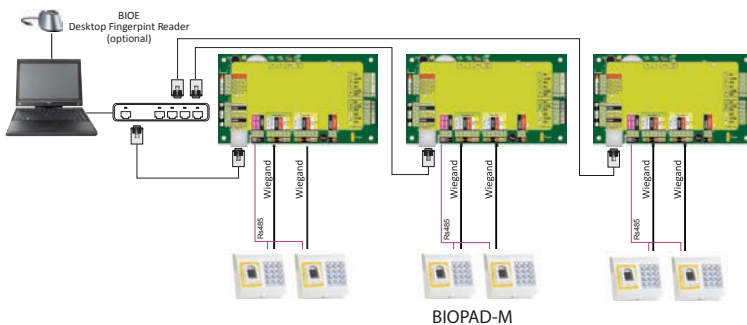
BIOPAD-M\_DS\_EN\_V1

## Third party controller - Architecture



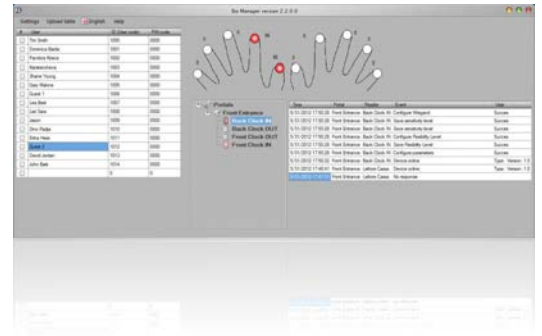
- Enrollment can be done from any biometric reader in the network or from BIOE - Desktop USB Enrollment Unit
- Finger templates can be sent to all readers in the network. Different Users can be sent to different Fingerprint Readers

## EWS controller - Architecture



## BioManager Software

- Windows based PC Software
- Free Fingerprint Management Software for XPR Biometric Readers



## PROS CS Software

- Client-Server Software, multiple users can access the database on the server PC
- User-Friendly windows Interface for simple programming, management and control of installations
- Unlimited number of Users
- Unlimited number of Access Levels
- Integrated fingerprint feature
- Enrollment can be done from any reader in the network, or from BioE (Desktop enrolment unit)
- Activation of several relays from one reader
- Remote Relays activation
- 24 Time zones, 32 Holidays
- Event viewer
- Customized reports with filter for: Time, User, Department, Reader or Door.
- Free software for 1 PC (USB dongle required for client PC)
- Time & attendance
- Entry mode: Card, Finger, PIN Code, Card+PIN Code, Card+Finger, Finger+PIN Code, Finger on Card
- Sent reports by mail
- Fire Alarm, automatic printing of evacuation report
- MS Access or SQL
- Compatible with Windows: 8, 7, Vista, XP, Server 2008, Server 2003



BIOPAD-M\_DS\_EN\_V1